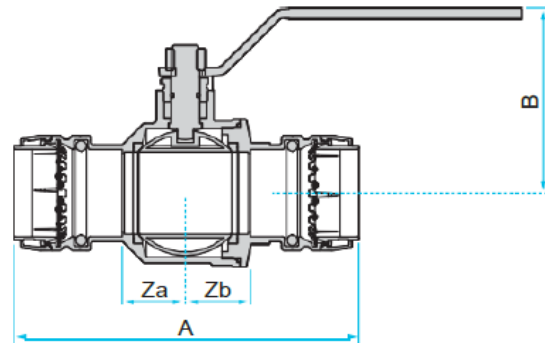


Material (15 mm - 28 mm)  
Material (35 mm - 54 mm)  
O-Ring  
Cartridge Ring (15 mm - 28 mm)  
Cartridge Ring (35 mm - 54 mm)  
Grab ring  
Alignment ring (15 mm - 28 mm)  
Disconnecting ring (15 mm - 28 mm)  
Disconnecting ring (35 mm - 54 mm)  
Working pressure  
Operating temperature

Brass CW602N  
Brass CW617N  
Nitrile  
304 Stainless Steel  
Polyphenylsulfones (PPSU)  
316 Stainless Steel  
Acetal  
Acetal  
PPSU  
-0.95 to 20 bar  
-20 to 65 °C



KGHMN15



Ball valve						
Art. No.	Type No.	For tube O.D.	A	B	Za	Zb
		mm	mm	mm	mm	mm
117045	KGHMN15	15	79.0	46.0	13.0	19.0
117046	KGHMN22	22	98.0	51.0	17.0	22.0
117047	KGHMN28	28	114.0	57.0	22.0	28.0
117048	KGHMN35	35	150.0	78.0	26.0	28.0
117049	KGHMN42	42	169.0	86.0	31.0	32.0
117050	KGHMN54	54	184.0	95.0	35.0	38.0